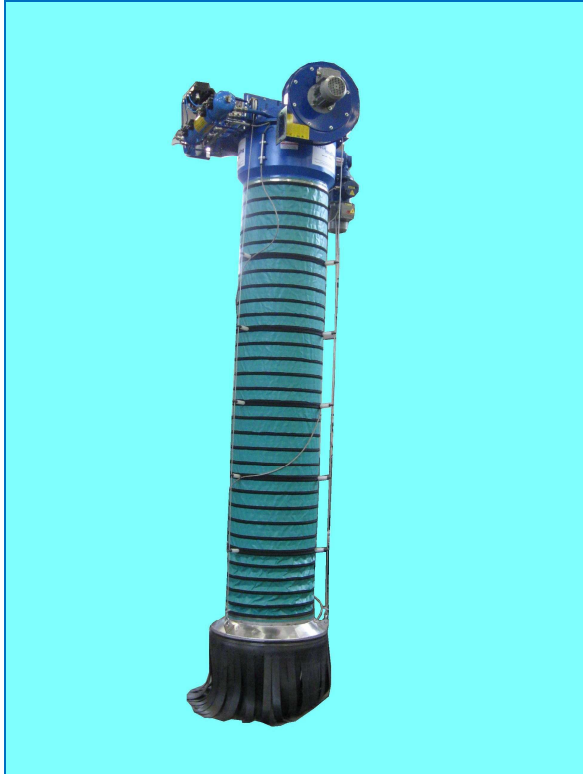


## TELESCOPIC CHUTE



### MAIN FEATURES

The telescopic chute is designed for loading bulk material on trucks, trains, ships, inside storages. It is provided with inner cones or tubes to contain the flow of material and an outer flexible bellow to limit the propagation of dusts.

It is operated by an electric hoist with three lifting cables outside the material flow that raises and lowers the bellows with cones without cable wear.

Also available with double bellow for non abrasive materials.

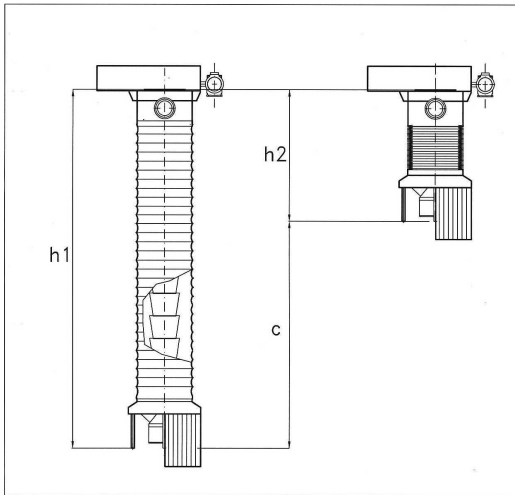
#### Main components:

- Hoist: three-phase electric motor with brake, gearbox, pulleys, lifting ropes
- Loading head: steel mouth with fixing flange, shaves for ropes, supports for hoist and air duct
- Discharge head: steel frame, rubber for dust containment for open truck, tilt switch holder cone
- Flexible chute: conic buckets in carbon, anti wear or stainless steel joined with antistatic belts or chains, flexible bellow covering the buckets
- Instruments: max & min height limit switches, anti-slack rope switch, tilt switch, junction box
- Electric unit with portable control station

---

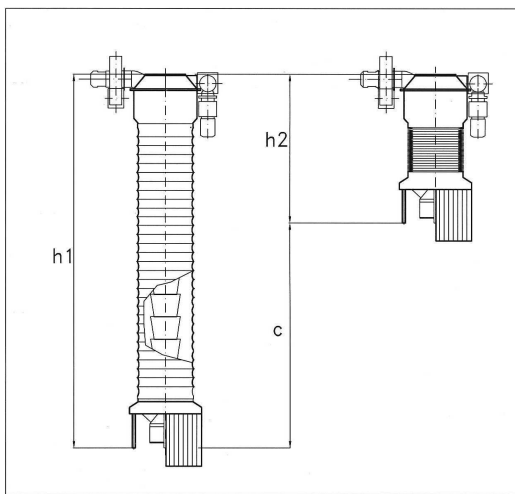
#### MEC HANDLING Srl

Uffici: Via IV Novembre, 92 - 20021 Bollate (MI) - Italy; Tel.: +39.02.6100899; Fax: +39.02.66501636;  
E-mail: [info@mechandling.it](mailto:info@mechandling.it); Sito: [www.mechandling.it](http://www.mechandling.it); Sede legale: Via C. G. Merlo, 3 - 20122 Milano;  
C.F. / Partita IVA n. 04077950964; CCIAA – MI REA 1723706; Capitale sociale: € 12.000,00 i.v.



Standard loaders without dust filter

Model	c (mm)	h <sub>1</sub> (mm)	h <sub>2</sub> (mm)	Weight (kg)
TC1500	1500	2800	1300	290
TC2000	2000	3420	1420	320
TC2500	2500	4000	1500	340
TC3000	3000	4580	1580	360
TC3500	3500	5200	1700	390



Standard loaders with dust filter

Model	c (mm)	h <sub>1</sub> (mm)	h <sub>2</sub> (mm)	Weight (kg)
TCF1500	1500	2960	1460	420
TCF2000	2000	3580	1580	450
TCF2500	2500	4160	1660	470
TCF3000	3000	4740	1740	490
TCF3500	3500	5360	1860	520

Capacity: 250 m<sup>3</sup>/h  
Inlet diameter: 300 mm

Material: carbon steel  
Length: on request

Basic models can be customized to meet Client specific requirements

## OPTIONS

- Suitable for low temperature (up to -40°C) or for high temperature (up to 120°C)
- Construction for Hazardous Areas (ATEX)
- Stainless steel construction
- Built-in dust filter:
  - Cleaning system with tank and electro valves with solenoid pilots and sequencer
  - Normal or antistatic filter elements
  - Fan with electric motor

## FIELDS OF APPLICATION

Loading of products on trucks, tankers, trains, ships, inside storages in:

- Steel Plants
- Cement Factories
- Chemical Industries
- Fertilizer Industries
- Food Industries

## ADVANTAGES

- Robust structure
- Easy cleaning and maintenance
- Customized versions
- Particular attention to Safety